

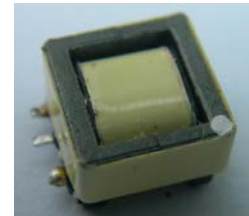
EFD6.2

Description:

This magnetic was developed for DC-DC Converter application.
Max power output: 5.0 W ref

Features:

- Low profile type
- Low loss
- Low cost



Application:

- DSC Camera
- LCD TV
- Camcorder, DV
- GPS

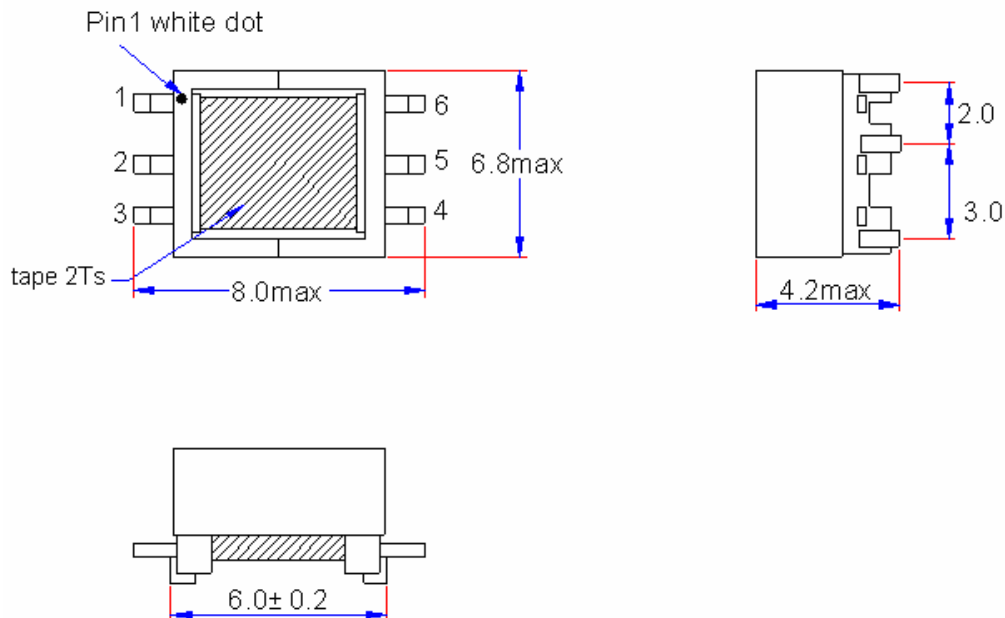
Temperature & Humidity :

Operating Temperature Range	0°C ~ +60°C
Storage Temperature Range	-40°C ~ +70°C
Humidity	95% RH max

Package:

Taping & Reel standard package.

Dimension: mm



All specification is designed by customer demand.